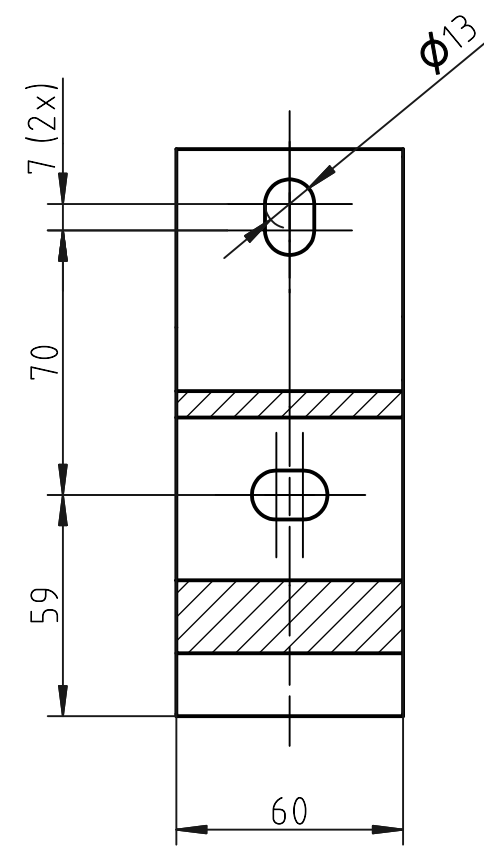
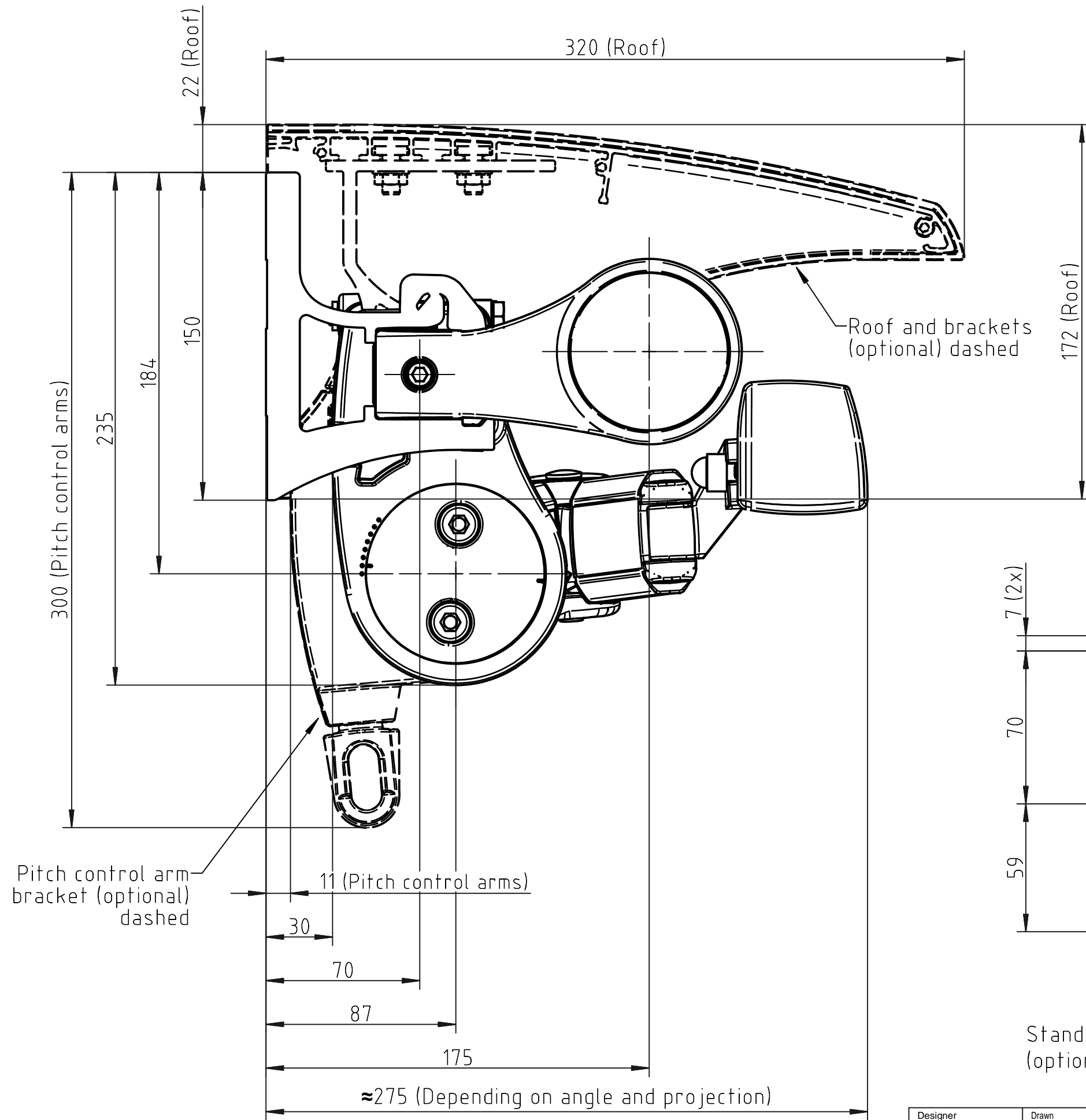
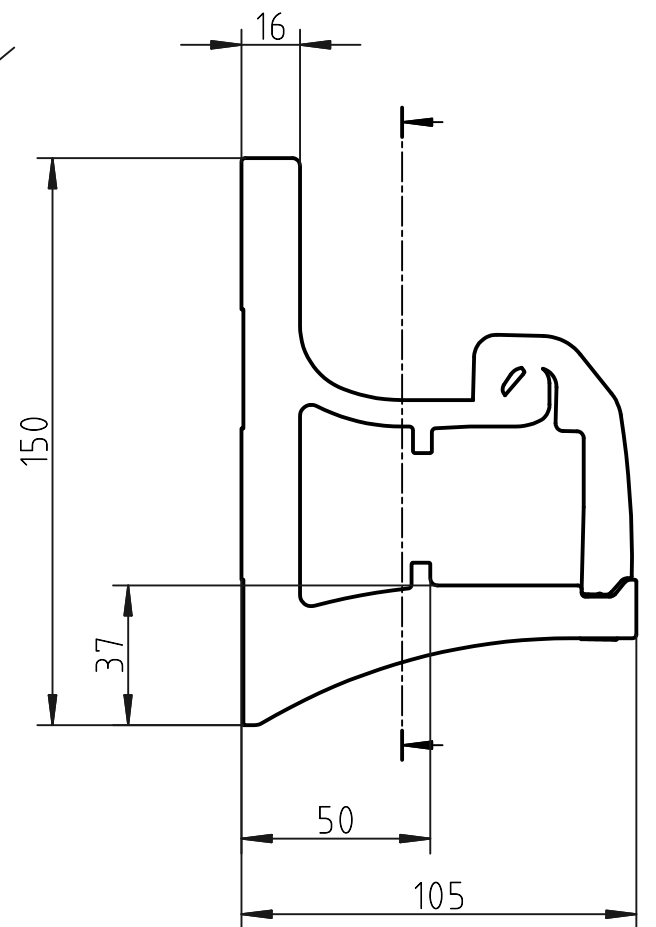


All rights reserved. This drawing is the property of Hunter Douglas Scandinavia AB. The drawing may not be copied or multiplied in any way, neither wholly nor in part. It may not be submitted for perusal, or in any way shared with third parties without the written consent of Hunter Douglas Scandinavia AB.

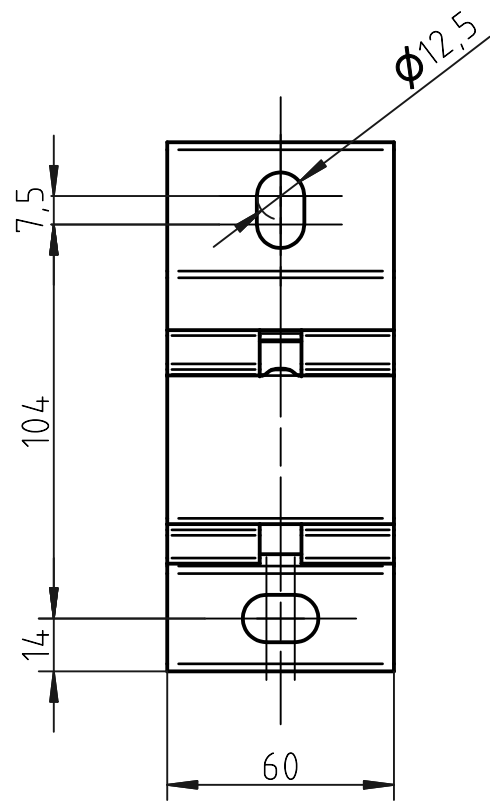


Standard wall bracket  
(optional brackets page 2)

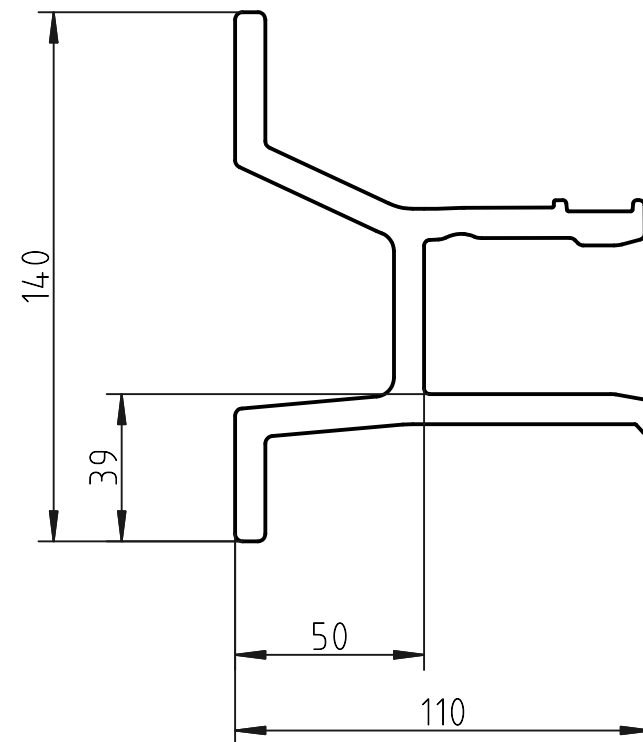


Designer CS	Drawn CS	Approved	Weight 0,0 kg		Date 2014-11-07	Replaces
<b>HunterDouglas</b>		Description Folding arm awning			Scale 1:2	Sheet 1 / 2
Hunter Douglas Scandinavia AB		Article number FA44			Drawing number FA44	Rev. 1

All rights reserved. This drawing is the property of Hunter Douglas Scandinavia AB. The drawing may not be copied or multiplied in any way, neither wholly nor in part. It may not be submitted for perusal, or in any way shared with third parties without the written consent of Hunter Douglas Scandinavia AB.

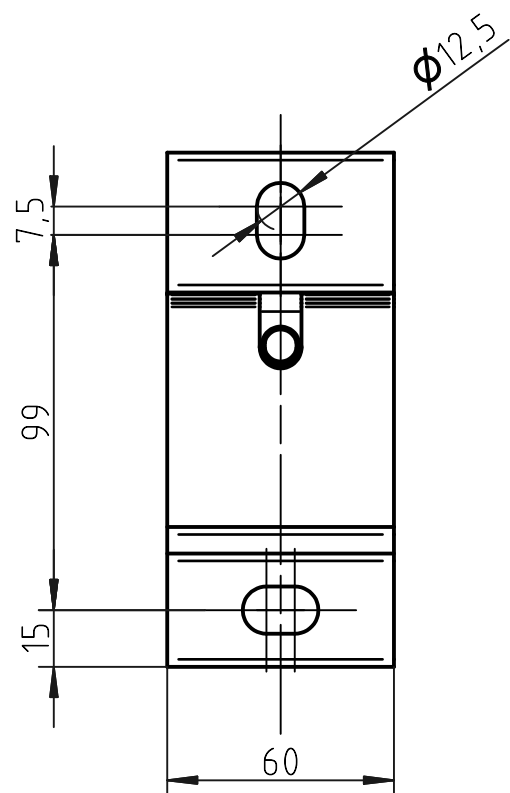


Basic wall bracket

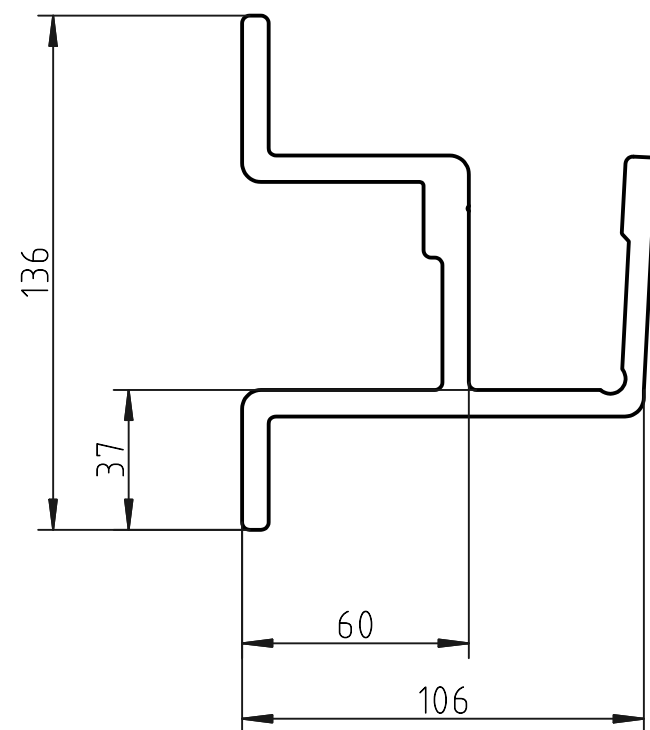


Vakiokannake FA42 markiisissa

Seinäkannake



Combined wall/roof bracket



Designer CS	Drawn CS	Approved	Weight N/A		Date 2012-10-22	Replaces	
<b>HunterDouglas</b> Hunter Douglas Scandinavia AB					Description	Scale 1:2	Sheet 2 / 2
					Article number	Drawing number FA44	Rev. 1