



Creating healthy spaces



Fixscreen® 150^{EVO}

Wind-resistant, vertical sun screen
with Connect&Go® technology

Fixscreen® 150^{EVO}

Introduction

The RENSON® Fixscreen® 150^{EVO} brings a major evolution in the quality, design and installation of large vertical sunscreens. The patented Connect&Go® technology ensures that the fabric roller tube is easy to install and removed. The electrical cable can simply be concealed in the sidechannels, this ensures an easy way of installing the headbox or replacing the motor or fabric. Besides the current Softline box design, we designed a new sleek Square design in response to strong market demand. We have optimized the design of the box in order to ensure that the bottom bar will disappear, up to 2700 mm high, into the head box without changing any dimensions of the box! The Fixscreen® technology ensures that the screen is windproof in any position. Flapping and torn fabric are therefore things of the past.

Product

Simplified installation thanks to:

- Connect & Go® technology - **NEW!** Patented waterproof electrical connection between the plug on the fabric roller tube and the plug in the box, with the following major benefits:
 - Easily installed/removed fabric roller tube
 - Easily replaced motor/fabric
 - Easily secured box
- Electrical cable can be concealed into the side channels - **NEW!**
- Pre-drill of side channels type 'S' / 'G' - **NEW!**
- Simplified box installation: install directly onto a wall or onto a window section - **NEW!**
- Box available in 2 designs: Softline and Square design - **NEW!**
- Bottom bar disappears into the box - **NEW!**
 - Completely up to max. height of 2700 mm
 - Partially up to max. height 6000 mm
- Reversed box installation (IM4) possible! - **NEW!**
- No wrinkles thanks to the intelligent wind-resistant guide system
- Available with fibreglass, Soltis® fabric or Rensonscreen®
- Profiles available anodised or powdercoated in all RAL colours

Applications

- For all window types: aluminium, wood, PVC
- For newbuild and renovation/for private homes and building projects
- Suitable for internal and external use

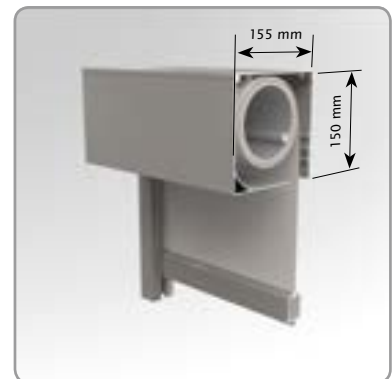
Technical specifications

- Maximum dimensions: max. width 6000mm/max. height 6000mm with a max. surface area of 22m²
NEW! 2 parts coupled: max. width 7000 mm
- For obscured outside use:
NEW! max. width 6000 mm/max. height 4000 mm with a max. surface area of 16 m²
- In closed position, guaranteed windtightness up to 80 km/h (wind tunnel test Von Karman Institute, Ukkel, Belgium)
- Warranty: - 5-year product guarantee
- 7-year warranty on the Fixscreen® technology*

* See our warranty terms and conditions



Softline design



Square design



Installation in front of the window

Dealer



RENSON® reserves the right to make technical changes to the products shown. The most recent brochures can be downloaded from www.renson.eu



RENSON® Export Department • Tel. +32 (0)56 62 71 11 • export@renson.net
RENSON® Sunprotection-Screens NV • IZ 1 Flanders Field • Kalkhoevestraat 45 • B-8790 Waregem
Tel. +32 (0)56 62 65 00 • Fax +32 (0)56 62 65 09 • export@renson.be • www.renson.eu
RENSON® Fabrications LTD • Fairfax Units 1-5 • Bircholt Road • Parkwood Industrial Estate
Maidstone · Kent ME15 9SF • Tel. 01622/754123 • Fax 01622/689478 • Fax 01622/689479
info@rensonuk.net • www.renson.eu

