

# Strong parasols Sturdy service



*the experts since 1932*

**symo**   
parasols

# STRONG CONTENT



**BAMBOU**  
PAGE 4



**CLASSICO**  
PAGE 6

NEW  
2014



**KRATOS**  
PAGE 8



**LEVANTO**  
PAGE 10



**MACSYMO**  
PAGE 12



**PARTY**  
PAGE 18



**QUATTRO**  
PAGE 20



**HEATING**  
PAGE 26



**SUPREMO TELESCOPICO**  
PAGE 24



**LIGHTING**  
PAGE 27



**WINDSCREENS**  
PAGE 28



**CUSTOM MADE  
PARASOLS**  
PAGE 29



**FABRICS**  
PAGE 30



**BASES**  
PAGE 36

# Strong parasols Sturdy service

Imagine you are sitting on a cosy terrace where the wind is rising. People grip their hat and put their hands on the table to keep the table cloth in place. Chairs are shoving away. Nobody is looking up. **The Symo Parasol stands tough.** Anyone leaving for an uninhabited island takes along a Symo parasol.

Symo sunshades provide **comfort**. Anyone choosing for Symo does not question the **quality** of the product. The customer is only selecting the colour and accessories because he knows that the basic product **stands firm**. He looks under the bonnet of a car out of curiosity and not because he has his doubts about it.

The owner of a Symo is **proud** to have a piece of art. It is the result of over 80 years of **experience**, **craftsmanship**, the use of top quality materials and a product warranty.

If someone mentions Symo, you'd rather ask him 'what Symo do you have?' instead of 'why Symo'?

## Facts & figures

- parasol **experts** since 1932
- **13 international design awards**
- 82 years of experience
- supplied over **1.000.000** umbrellas and parasols
- exports to more than 50 countries worldwide
- 3.000 m<sup>2</sup> workshop
- production, **product development**, design

# BAMBOU

Powerful and ecofriendly

NEW  
2014


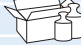

**Very strong** frame

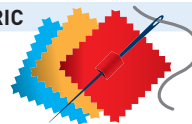
Easily **replacable** ribs

**Resists** strong winds up to  
7 Beaufort (=61 km/h)

**Eco-friendly:** no use of tropical hardwood.  
Bamboo is a type of fast-growing grass so there is  
no destruction of tropical forests.

**BAMBOU 3 x 3 m**

	21 kg
	29,5 kg
	380 x 36 x 30 cm
SHADOW AREA	9 m <sup>2</sup>

**ORCHESTRA FABRIC SEE PAGE 30****FRAME**

NATURAL BAMBOO + STAINLESS STEEL	
POLE	Ø 48 mm
RIBS #	8
RIBS	35 x 20 mm

**BASES SEE PAGE 35**

- BAMBOU BASE
- GROUND PLATE LUXURY
- GROUND PLATE ECONOMY
- INGROUND SLEEVE LUXURY
- INGROUND SLEEVE ECONOMY

**BASE OPTIONS SEE PAGE 35****ACCESSORIES**

**QUASEO** *see page 27*  
wireless LED lighting / rechargeable: easy as a mobile phone

**PROTECTIVE COVER****WIND RESISTANCE**

7 Bft (61 km/h)

**BAMBOU****BAMBOU****BAMBOU**

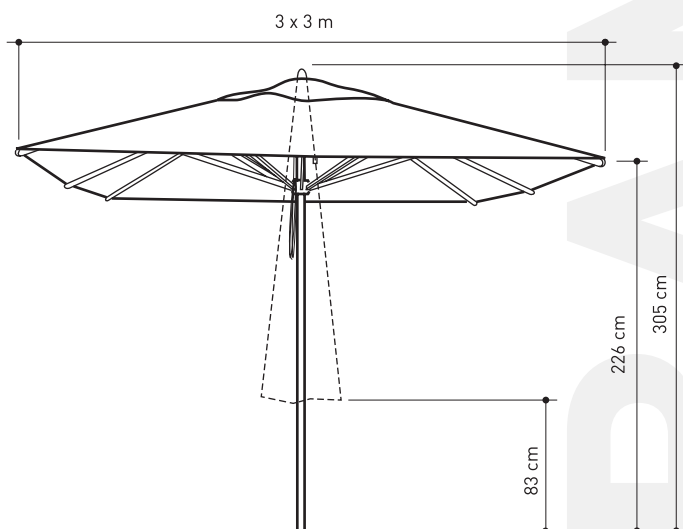
Easy to open and close due to the **double** pulley system

**Shelters** from both sun and rain



**10 year guarantee** against colour fading

**Best UV protection:** up to UPF50 (total sun block)



# CLASSICO

The upper class of traditional garden parasols

**Extra strong** ribs thanks to European quality spring steel. Choose the number of ribs for extra strength. 10 ribs are stronger than 8 ribs.

Adjustable height due to **functional** clamp and telescopic parasol pole.

Personalize your Classico:

- Choose your canvas colour and pattern
- Print your logo or advertisement

Shelters you from **sun and rain**

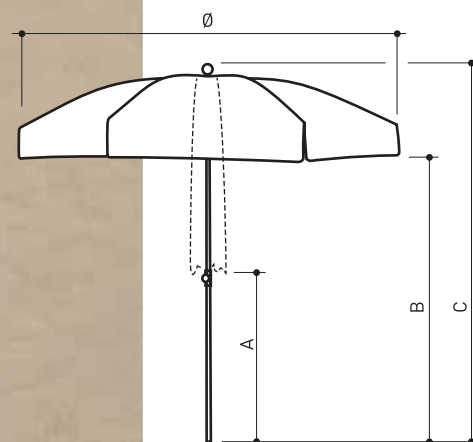


Longer operational life due to the **highest quality** on the market. Entirely **made in Europe**, unlike most parasols of this type.

All models with tilt for extra sun **protection**.

"Thank you for the quick service and the magnificent quality"

*Kurt  
Brunello beach*

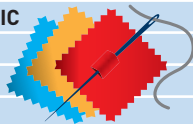




CLASSICO STEEL	Ø 1,8 m	Ø 2 m	Ø 2 m	Ø 2,5 m	1,40x2,10m	1,70x2,25m
	2,6 kg	3 kg	3 kg	3,5 kg	3 kg	4 kg
	145x22x15 cm	145x22x15 cm	145x 22x15 cm	145x22x15 cm	145x22x15 cm	145x22x15 cm

A - Free height closed	110 cm	105 cm	105 cm	110 cm	100	106
B - Free height open	180 cm	180 cm	180 cm	180 cm	195	195
C - Total height	220 cm	220 cm	220 cm	240 cm	260	260
SHADOW AREA	2,54 m <sup>2</sup>	3,14 m <sup>2</sup>	3,14 m <sup>2</sup>	4,91 m <sup>2</sup>	2,94 m <sup>2</sup>	3,83 m <sup>2</sup>
RAFFIA (see p. 49) complete roof	-	5 colours	-	-	-	-
edge only	-	-	5 colours	-	-	-
OPERATION	PUSH-UP	PUSH-UP	PUSH-UP	PUSH-UP	PUSH-UP	PUSH-UP
GALVANIZED STEEL, POWDER COATED WHITE COLOUR*						
* CLASSICO Ø 2,50: also colour anthracite as long as stocks last						
UPPER POLE WITH METAL TILT	Ø 22 mm	Ø 22 mm	Ø 22 mm	Ø 27 mm	Ø 30 mm	Ø 30 mm
LOWER POLE	Ø 25 mm	Ø 25 mm	Ø 25 mm	Ø 30 mm	Ø 33 mm	Ø 33 mm
RIBS # / Ø	8 / Ø 3,8 mm	8 / Ø 3,8 mm	10 / Ø 3,8 mm	10 / Ø 4,2 mm	# 4 paragon	# 4 paragon
RIBS length	90 cm	100 cm	100 cm	125 cm		

#### SYMACRYL FABRIC



SEE PAGE 32

CLASSICO



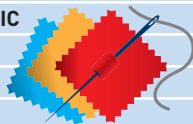
CLASSICO STAINLESS STEEL	Ø 2 m	Ø 2,5 m
	3 kg	3 kg
	145x22x15 cm	145x 22x15 cm

CLASSICO WOOD	Ø 2,4 m
	5,5 kg
	160x16x16 cm

	Ø 2 m	Ø 2,5 m
A - Free height closed	max. 130 cm	max. 95 cm
B - Free height open	max. 180 cm	max. 184 cm
C - Total height	max. 245 cm	max. 245 cm
SHADOW AREA	3,14 m <sup>2</sup>	4,91 m <sup>2</sup>
RAFFIA (see page 49) complete roof	5 colours	-
OPERATION	PUSH-UP	PUSH-UP
BRUSHED STAINLESS STEEL "304" / TRANSPARENT COATING / NATURAL COLOUR		
UPPER POLE WITH METAL TILT	Ø 27 mm	Ø 27 mm
LOWER POLE	Ø 30 mm	Ø 30 mm
RIBS / SPRING STEEL		
METALLIZED / COATED BLACK # / Ø	8 / Ø 4,5 mm	8 / Ø 4,5 mm
RIBS length	100 cm	125 cm

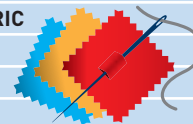
	Ø 2,4 m
A - Free height closed	115 cm
B - Free height open	190 cm
C - Total height	244 cm
SHADOW AREA	4,52 m <sup>2</sup>
OPERATION	PUSH-UP
WOODEN POLE	
UPPER POLE WITHOUT TILT	Ø 36 mm
LOWER POLE	Ø 36 mm
STEEL POWDER COATED	
RIBS # / Ø	8 / Ø 4,2 mm
RIBS length	120 cm

#### SYMACRYL FABRIC



SEE PAGE 32

#### SYMACRYL FABRIC SEE PAGE 32



QUASEO

#### ACCESSORIES

**QUASEO** see page 27 (only for Classico Ø 2,5mm)  
wireless LED lighting / rechargeable:  
easy as a mobile phone

**PROTECTIVE COVER** black nylon

#### BASES

SEE PAGE 35

**BASE TO FILL** up to 20 kg

**BASE FILLED WITH CONCRETE** 20 kg

**LUNA** 30 kg

**GRANITE** 40 kg

#### WIND RESISTANCE

5 Bft (38 km/h)

24 mph in straight position (not tilted)

# KRATOS

NEW  
2014

The power

of freedom

**Shelters** from both sun and rain

**10 year guarantee** against colour fading

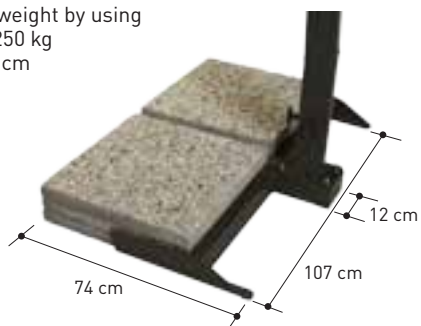
**Best UV protection:** up to UPF50 (total sun block)





### KRATOS TILE BASE

Add counterweight by using  
10 stones - 250 kg  
50 x 50 x 4,5 cm

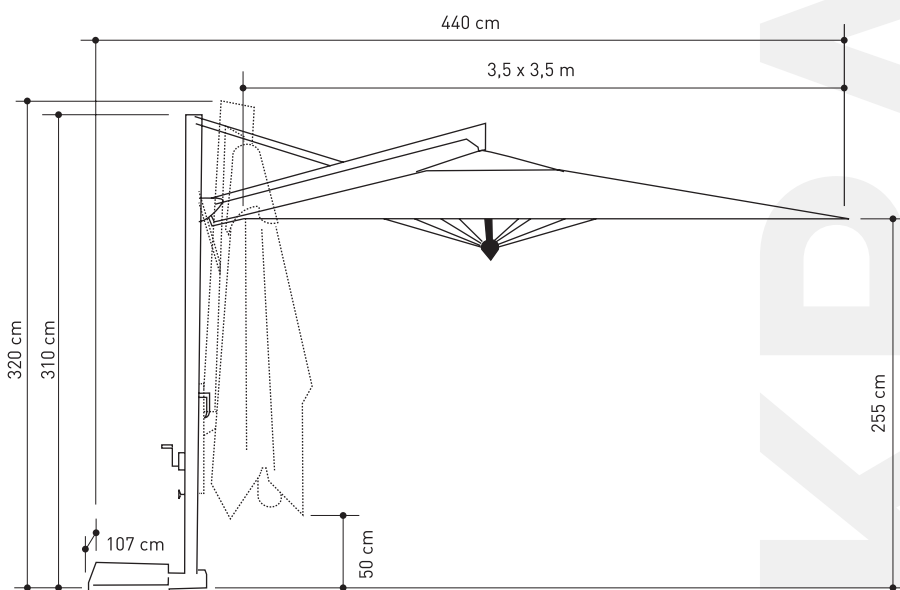


Very **strong** frame

**Easily** replacable ribs

**High stability** in strong winds

Easy to open and close with the  
removable crank system



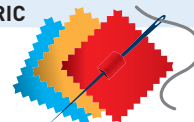
### KRATOS

3,5 x 3,5 m

	FRAME + COVER	16 kg
	POLE + BASE (without stones)	45 kg
		70 kg
		380 x 36 x 30cm
	SHADOW AREA	12,25 m <sup>2</sup>

### ORCHESTRA FABRIC

SEE PAGE 30



### FRAME

OPERATION: REMOVABLE CRANK SYSTEM

ALUMINIUM POLE (anthracite)	82 x 82 x 3 mm
RIBS #	8
RIBS	18 x 30 x 1,5 mm

### BASES

SEE PAGE 35

KRATOS TILE BASE	250 kg
KRATOS INGROUND SLEEVE	

### ACCESSORIES

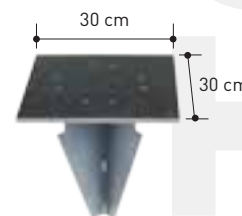
PROTECTIVE COVER

### WIND RESISTANCE

6 Bft (49 km/h)

### KRATOS INGROUND SLEEVE

10 kg



# LEVANTO

Solid wooden tradition



Wind vent for extra stability

Shelters you from the sun and the rain.

Meranti tropical hardwood with special outdoor treatment. Ribs and pole that do not bend or crack.

Stylish and traditional hand-made finishing.

Pole out of 1 piece for extra stability (split wooden poles are weak)



QUASEO



<b>LEVANTO</b>	<b>Ø 3 m</b>
	9 kg
	10 kg
	245 x 17 x 17
SHADOW AREA	7,07 m <sup>2</sup>
<b>FABRIC POLYESTER 220 g/m<sup>2</sup> (Polyurethane coated)</b>	



D014 - TAUPE

<b>FRAME</b>	
OPERATION: PULLEY SYSTEM	
TROPICAL TREATED HARDWOOD MERANTI	
POLE	Ø 48 mm
RIBS: 8 per parasol	17 x 22 mm

<b>BASES</b>	<b>SEE PAGE 35</b>
<b>LUNA</b> 30 kg	
<b>RONDO</b> 42 kg	
<b>GROUND PLATE LUXURY</b>	
<b>GROUND PLATE ECONOMY</b>	
<b>INGROUND SLEEVE LUXURY</b>	
<b>INGROUND SLEEVE ECONOMY</b>	
<b>GRANITE</b> 40 kg	
<b>CONCRETE</b> 50 kg	
<b>CROSS BASE SYMO FOR TILES</b> up to 66 kg	

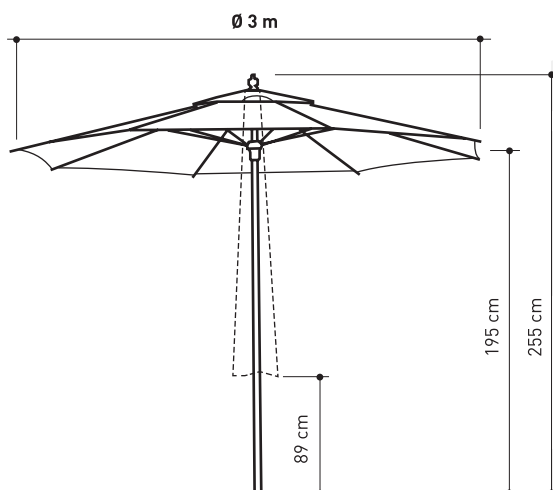
<b>BASE OPTIONS</b>	<b>SEE PAGE 35</b>
---------------------	--------------------

<b>ACCESSORIES</b>	
<b>QUASEO</b> <i>see page 27</i>	wireless LED lighting / rechargeable: easy as a mobile phone
<b>PROTECTIVE COVER</b>	beige / polyester 210 g/m <sup>2</sup>

<b>WIND RESISTANCE</b>	
	6 Bft (49 km/h)



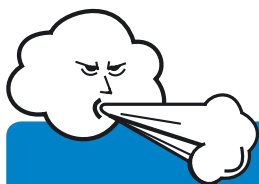
Easy opening and closing due to helpful pulley system. Double pulley prevents scratches on the pole (because the runner is held straight during opening and closing)



LEVANTO

# MACSYMO

The **king-size** parasol with king-size quality



Open parasol **resists very strong winds** without any damage (up to wind force 7 Beaufort or 61 km/h)



Split pole for **easier and cheaper** storage and transport (compared to other brands of giant parasols)

Shade area up to 25 m<sup>2</sup> allows you to shelter up to 25 people.

No technical parts inside the parasol, which **guarantees** hazard free use

**Shelters** both from the **sun and the rain** (customers can stay on your terrace in most weather conditions)



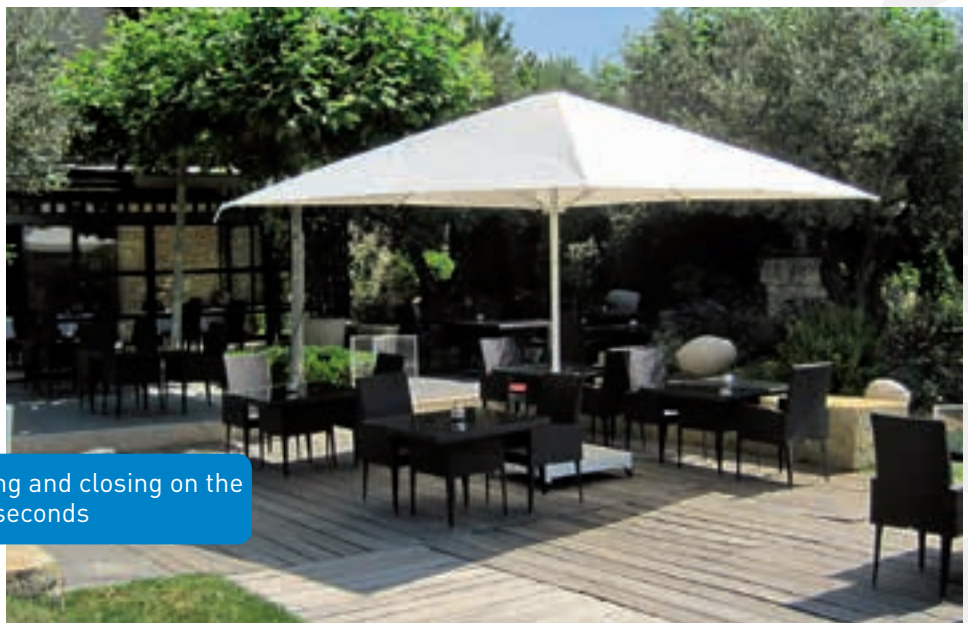
ities

**Protects you** and your guests from dangerous UV rays: up to UPF50 (total UV filter)

**10 year guarantee** against colour fading (your MacSymo stays nice for many years)

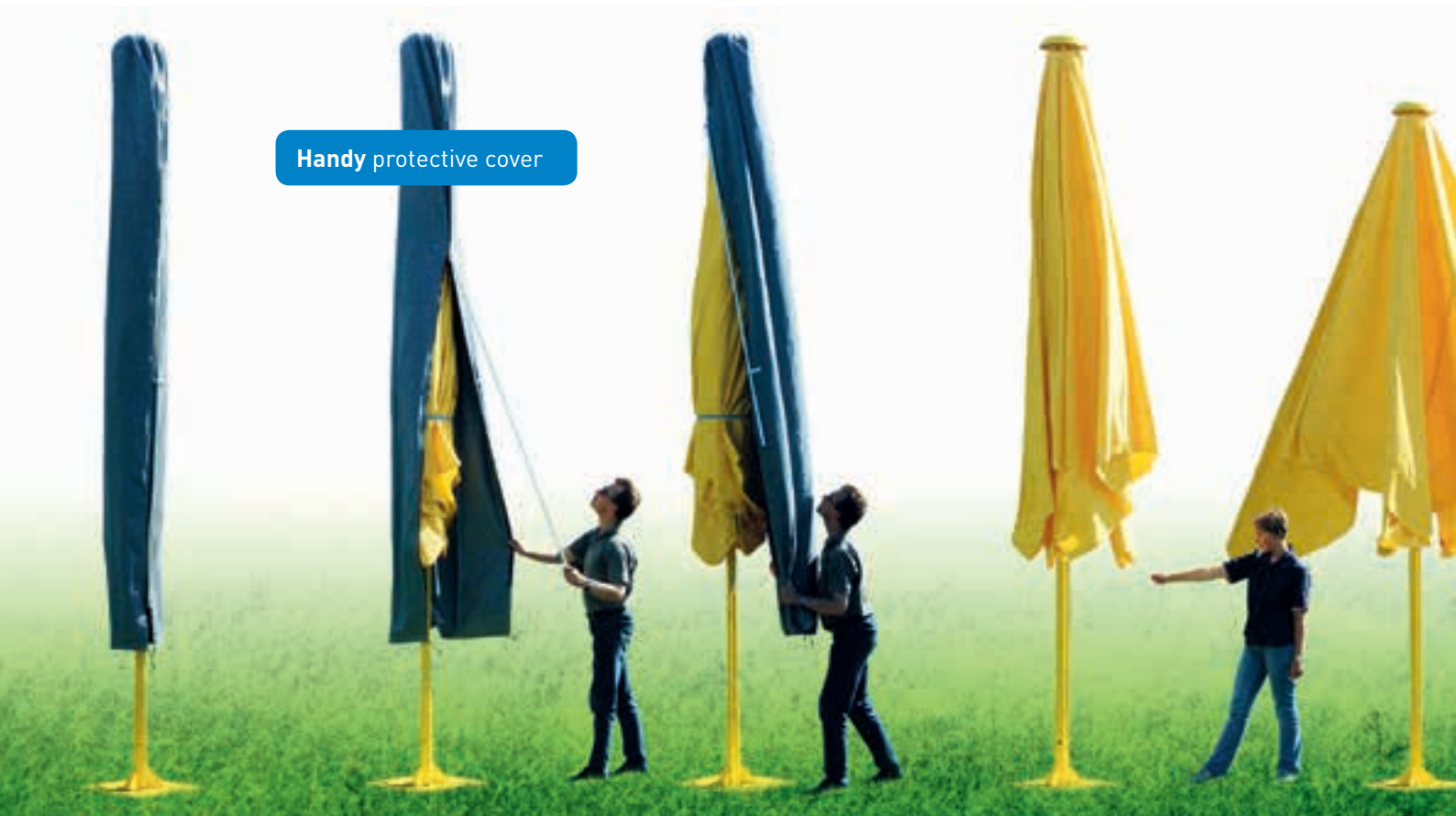
"My MACSYMO paid itself back in one season"

*Christine  
La Marée & Nordex*



**Fastest system** for opening and closing on the market: takes only a few seconds

MACSYMO



Handy protective cover

INTEGRATED MACSYMO HEATING



INTEGRATED MACSYMO LIGHTING



GUTTER



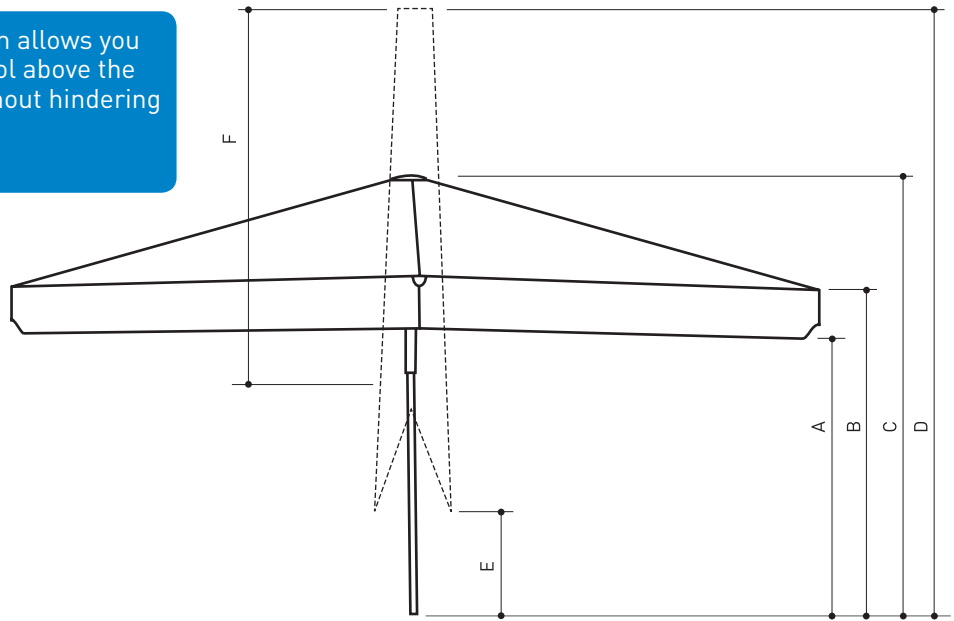
Side panels: ideal for parties and as smoking shelter



The MACSYMO opens by **simple** hand movement

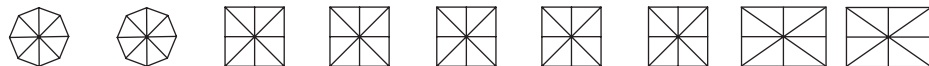
MACSYMO

**Innovative** telescopic system allows you to open and close the parasol above the heads of people seated, without hindering guests, tables or chairs.  
**100 % user friendly**

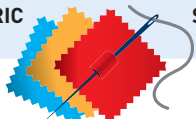


- Personalize your MacSymo with its **wide range of options:**
- Powder coated frame: any RAL colour available on request
  - Choose your canvas colour (90 plain colours available)
  - Print your logo or advertisement
  - Choose from our wide range of options (lighting, gutters, side sheets etc...)





MACSYMO	Ø 4 m	Ø 5 m	3 x 3 m	3,5 x 3,5 m	4 x 4 m	4,5 x 4,5 m	5 x 5 m	4 x 3 m	5 x 4 m
	28 kg	34 kg	28 kg	32 kg	46 kg	50 kg	60 kg	50 kg	60 kg
	36 kg	44 kg	36 kg	40 kg	54 kg	60 kg	70 kg	60 kg	70 kg
	270 x 38 x 32 mm					•	380 x 36 x 30 mm		•
SHADOW AREA	12,56 m <sup>2</sup>	19,63 m <sup>2</sup>	9 m <sup>2</sup>	12,25 m <sup>2</sup>	16 m <sup>2</sup>	20,25 m <sup>2</sup>	25 m <sup>2</sup>	12 m <sup>2</sup>	20 m <sup>2</sup>
A - height to valance / cm	195	195	195	195	195	195	195	195	195
B - height to rib / cm	220	220	220	220	220	220	220	220	220
C - total height when open / cm	304	304	285	305	304	320	330	305	315
D - total height when closed / cm	390	400	370	390	440	450	460	405	450
E - free height under rib closed / cm	170	140	145	130	140	120	95	150	120
F - maximum storage length / cm	240	262	230	260	295	330	365	255	330
FIRE RETARDANT (option)	✓	✓	✓	✓	✓	✓	✓	✓	✓
<b>ORCHESTRA FABRIC</b>	<b>SEE PAGE 46-47</b>								



FRAME									
ALUMINIUM & STAINLESS STEEL POWDER COATED WHITE RAL 9010 (other RAL colours on request)									
OPERATION: UNIQUE TELESCOPICAL SYSTEM WITH PUSH-UP HANDLE POLE									
STAINLESS STEEL POLE	60x2 mm	60x2 mm	60x2 mm	60x2 mm	Ø 60x2 mm	Ø 60x2 mm	Ø 60x2 mm	Ø 60x2 mm	Ø 60x2 mm
ALUMINIUM RIBS 30 x 20 x 2 mm	8	8	8	4	4	4	4	4	4
STEANLESS STEEL RIBS 30 x 20 x 2 mm				4	4	4	4	4	4

PARASOL OPTIONS
FIXED VALANCES OR REMOVABLE WITH VELCRO
EXTENDED PARASOL POLE + 25 cm guarantee only in combination with extended base pole

BASES	SEE PAGE 35
TILE BASE LUXURY 140 kg*	
TILE BASE ECONOMY 140 kg*	
TILE BASE LUXURY 200 kg	
GROUND PLATE LUXURY	
GROUND PLATE ECONOMY	
INGROUND SLEEVE LUXURY	
INGROUND SLEEVE ECONOMY	

\* not for 5 x 5 and 5 x 4

BASE OPTIONS	SEE PAGE 35
--------------	-------------

ACCESSORIES
PROTECTIVE COVER / grey / acrylic coated polyester
GUTTER / 60 cm wide / fabric orchestra / only for square or rectangular parasols / distance between 2 parasols with gutter: must be 40 cm
SIDE PANELS / fabric orchestra + transparant PVC / only for square or rectangular parasols with valances
INTEGRATED LIGHTING SYSTEM pole mounted waterproof housing
INTEGRATED HEATING 2 x 1.400 Watt 4 x 1.400 Watt

WIND RESISTANCE
7 Bft (61 km/h)



MACSYMO WITH SIDE PANELS AND INTEGRATED LIGHTING SYSTEM

# PARTY

A loyal worker



The **best UV protection**: up to UPF50  
(total UV filter)

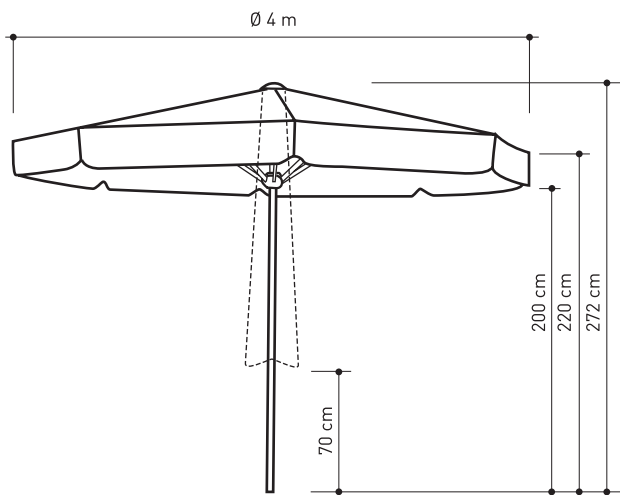
**Shelter** from both sun and rain.

**10 year guarantee** against colour fading.

Long operational life due to **high quality** canvas and **solid** frame  
(Pole with 50 mm diameter and ribs of 30 x 20 mm)

**Lightweight** parasol: easy to install, carry and stow away.

**Personalize** your Party parasol:  
• Choose your canvas colour  
(90 plain colours available)  
• Print your logo or advertisement



<b>PARTY</b>		<b>Ø 4 m</b>
		14,5 kg
		16,5 kg
		270 x 38 x 32 cm
SHADOW AREA		12,56 m <sup>2</sup>
FIRE RETARDANT (option)		
<b>ORCHESTRA FABRIC</b>		<b>SEE PAGE 30</b>



<b>FRAME</b>	
OPERATION: PULLEY SYSTEM	
ALUMINIUM POWDERCOATED	WHITE RAL 9010
POLE	Ø 50 x 1,5 mm
8 RIBS	30 x 20 mm

<b>PARASOL OPTIONS</b>	
FIXED VALANCES	

<b>BASES</b>		<b>SEE PAGE 35</b>
<b>LUNA</b>	30 kg	
<b>RONDO</b>	42 kg	
<b>GROUND PLATE LUXURY</b>		
<b>GROUND PLATE ECONOMY</b>		
<b>INGROUND SLEEVE LUXURY</b>		
<b>INGROUND SLEEVE ECONOMY</b>		
<b>GRANITE</b>	40 kg	
<b>CONCRETE</b>	50 kg	
<b>CROSS BASE SYMO FOR TILES</b>	up to 66 kg	

<b>BASE OPTIONS</b>		<b>SEE PAGE 35</b>
---------------------	--	--------------------

<b>ACCESSORIES</b>	
<b>QUASEO</b>	<i>see page 43</i> wireless LED lighting / rechargeable: easy as a mobile phone
<b>PROTECTIVE COVER</b>	beige / polyester 210 g/m <sup>2</sup>

<b>WIND RESISTANCE</b>	
6 Bft (49 km/h)	



PARTY

# QUATTRO

Light weight & heavy duty

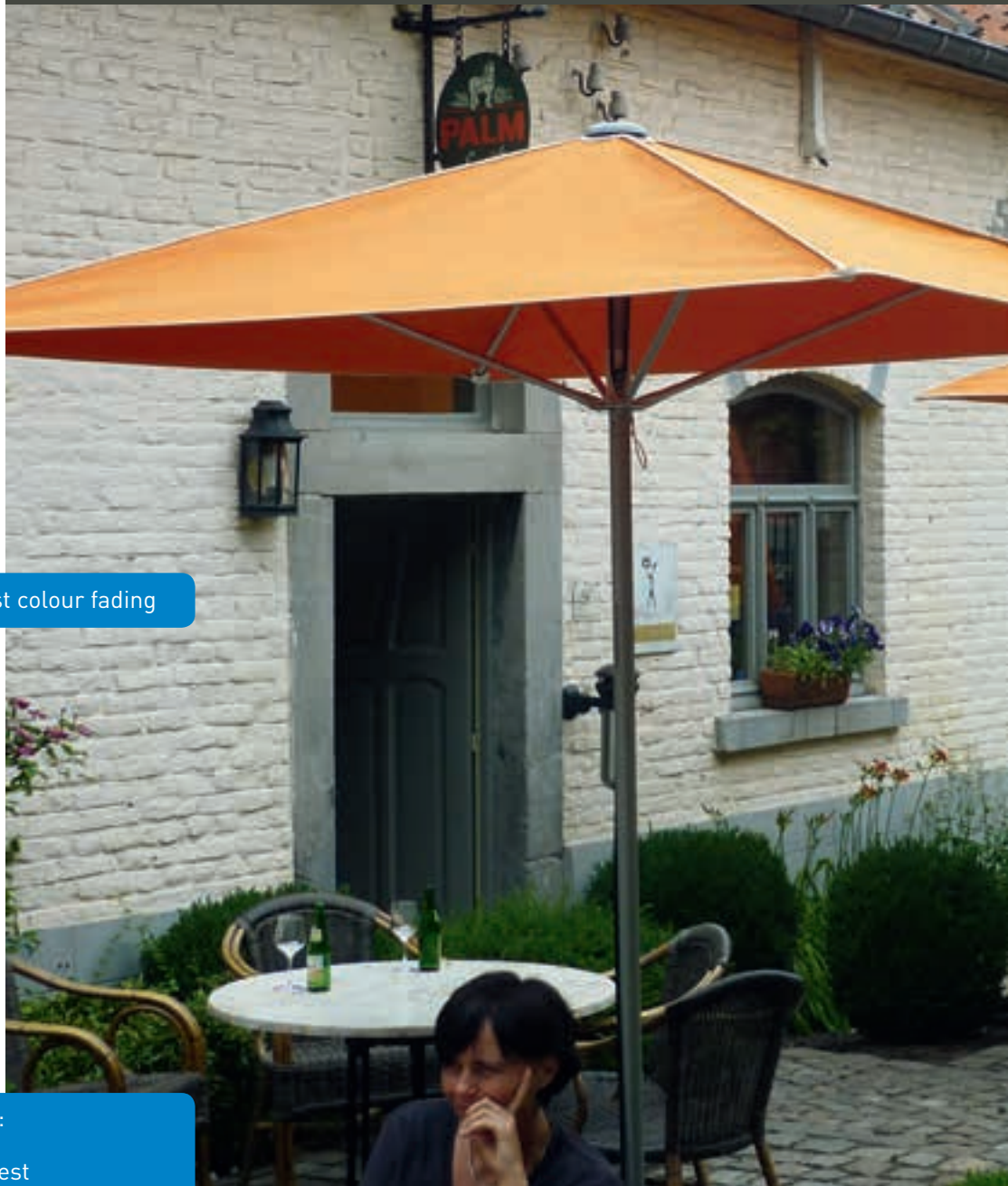
10 year guarantee against colour fading

**Personalize** your Quattro:

- Coloured frame: any RAL colour on request
- Choose your canvas colour (90 plain colours available)
- Print your logo or advertisement

The **best UV protection:** up to UPF50 (total UV filter)

Beautiful **hand-made** finishing with high **quality** edging on top of the roof gives the Quattro a unique, contemporary look.





"Nice parasols and good technical service"  
*Eric  
7 Senses*

**Shelter** from both **sun and rain**

Lightweight parasol:  
**easy** to install, carry and stow away.

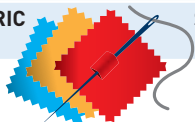
**Heavy duty** parasol: designed for **intense professional use**



Optional gas dampers: the easiest opening system available



QUATTRO	Ø 3	2 x 2	2,5 x 2,5	3 x 3	3 x 2
	10 kg	6 kg	9,5 kg	11,5 kg	9 kg
	13 kg	9 kg	12,5 kg	14,5 kg	12 kg
	276 x 28 x 30 cm	276 x 28 x 30 cm	276 x 28 x 30 cm	276 x 28 x 30 cm	276 x 28 x 30 cm
SHADOW AREA	7,07 m <sup>2</sup>	4 m <sup>2</sup>	6,25 m <sup>2</sup>	9 m <sup>2</sup>	6 m <sup>2</sup>
A - free height open / cm	210	210	210	210	210
B - total height / cm	255	250	265	265	275
C - free height closed / cm	100	82	75	38	80
FIRE RETARDANT (option)	•	•	•	•	•
<b>ORCHESTRA FABRIC</b>	<b>SEE PAGE 30</b>				



FRAME					
ANODIZED ALUMINIUM NATURAL COLOUR (ral colour powder coated on request)					
OPERATION: PULLEY SYSTEM					
POLE	Ø 40 x 2 mm	Ø 40 x 2 mm	Ø 40 x 2 mm	Ø 40 x 2 mm	Ø 40 x 2 mm
RIBS Ø 18 x 2 mm	8	4	8	8	8
OPTION: GAS DAMPER SYSTEM FOR EASY OPENING					



### PARASOL OPTIONS

FIXED VALANCES

BASES	SEE PAGE 35
LUNA 30 kg	
RONDO 42 kg	
GROUND PLATE LUXURY	
GROUND PLATE ECONOMY	
INGROUND SLEEVE LUXURY	
INGROUND SLEEVE ECONOMY	
GRANITE 40 kg	
CONCRETE 50 kg	
CROSS BASE SYMO FOR TILES up to 66 kg	

### BASE OPTIONS

SEE PAGE 35

ACCESSORIES
<b>QUASEO</b> <i>see page 27</i> wireless LED lighting / rechargeable: easy as a mobile phone
<b>PROTECTIVE COVER</b> beige / polyester 210 g/m <sup>2</sup>
<b>BLABLA TABLE</b> <i>see page 26 and 10</i> Ø 60 cm / 5 mm / aluminium plate / powder coated / colours: white RAL 9010, black RAL 9005
<b>GUTTER</b> for square parasols / 60 cm wide / orchestra fabric / distance between 2 parasols with gutter = must be 40 cm

### WIND RESISTANCE

6 Bft (49 km/h)

PULLEY SYSTEM



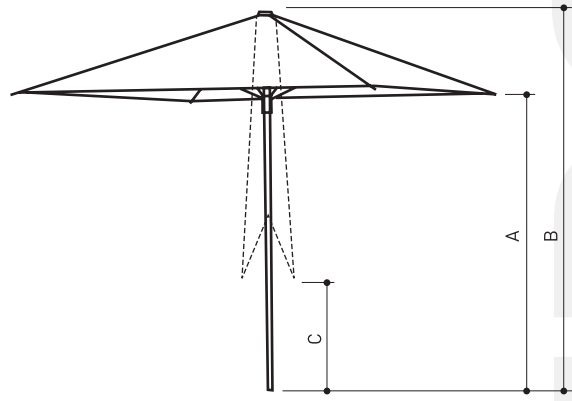
QUASEO



COUPE +  
BLABLA TABLE

RONDO BASE

Courtesy of Vacances Bleues, France



QUATTRO

# SUPREMO TELESCOPICO

Revolutionary telescopic system

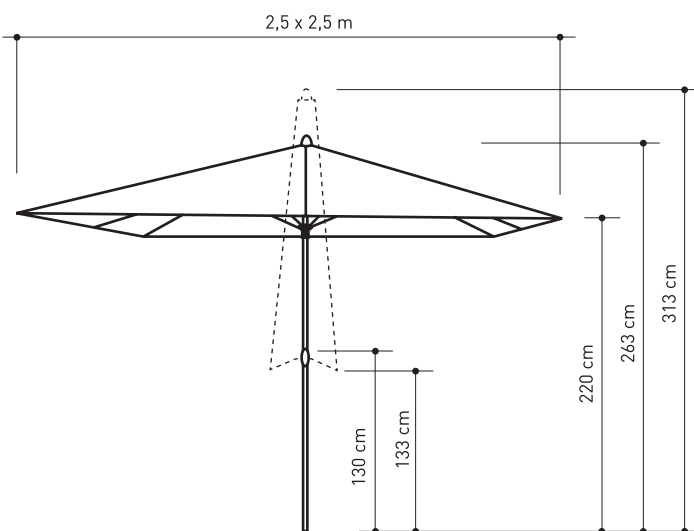
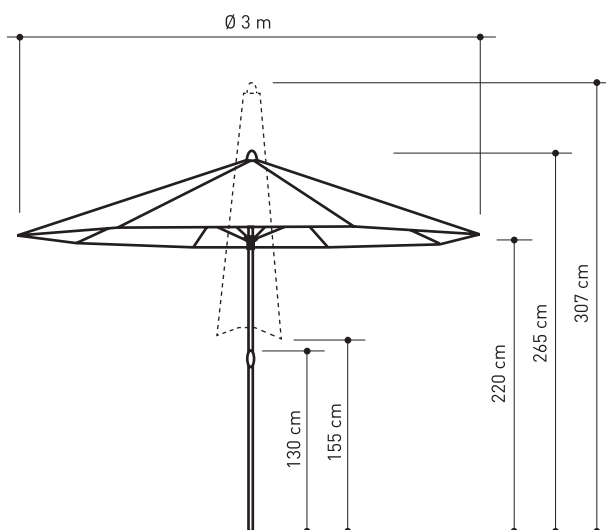
NEW  
2012

**Easy and superlight** to open: 100% user friendly

Timeless look

**Lightweight:** easy to install, carry and stow away





**Innovative** telescopic system allows opening and closing without hindering guests, tables or chairs



SUPREMO TELESCOPICO	Ø 3 m	2,5 x 2,5 m
	6,5 kg	7,32 kg
	8,5 kg	9,35 kg
	18 x 18 x 170 cm	19 x 19 x 204 cm
SHADOW AREA	7,07 m <sup>2</sup>	6,25 m <sup>2</sup>
FABRIC POLYESTER	230 g/m <sup>2</sup>	



FRAME		
OPERATION: TELESCOPICAL SYSTEM		
ALUMINIUM POWDER COATED / ANTHRACITE		
POLE	Ø 38 x 1,0 mm	Ø 38 x 1,0 mm
RIBS #	8	8
RIBS	14 x 20 x 1,0 mm	14 x 20 x 1,0 mm

BASES	SEE PAGE 35
LUNA	30 kg
RONDO	42 kg
GRANITE	40 kg
CONCRETE	50 kg

BASE OPTIONS	SEE PAGE 35
--------------	-------------

ACCESSORIES
<b>QUASEO</b> <i>see page 43</i> wireless LED lighting / rechargeable: easy as a mobile phone
<b>PROTECTIVE COVER</b> <i>(included with each Supremo Telescopic parasol)</i> dark grey / 210 g/m <sup>2</sup> with PU coating / with zipper

WIND RESISTANCE
5 Bft (38 km/h)



SUPREMO TELESCOPICO

# HEATING

Enjoy nice winter days outdoor

## SYMO HEATER 1800 WALL

- 2,4 kg
- 482 x 195 x 275 mm
- 1800 Watt • IP24
- Carbon fibre heaters (high efficiency)
- Wall fixation
- Remote control



## SYMO HEATER 2100 CEILING

- 3,5 kg
- 600 mm diameter
- 900 / 1200 / 2100 Watt
- IP44
- Halogen heater (high efficiency)
- Ceiling fixation
- Manual control



Radiation heating: **warms the body** not the air (like the sun)

Wind doesn't blow **the heat** away

**No loss** of energy through convection (=ascending hot air)

## SYMO HEATER 3000 STANDING

- 19,2 kg
- 2070 mm high
- 1200 / 1800 / 300 Watt
- IP44
- Halogen (high efficiency)
- Fall down security system
- Manual control



## SYMO HEATER 1800 STANDING

- 9,6 kg
- 650 x 410 x 1850 mm
- 1800 Watt
- IP24
- Carbon fibre heater (high efficiency)
- Fall down security system
- Height adjustable
- Remote control



No use of oxygen

No noise, no condensation

No fire, **no flames**, no smoke

Safer than gas heaters

Cheaper in use than gas heaters

## SYMO HEATER GAS DRAGON

- 45 kg
- 1950 mm height
- Gasburner
- Including gastube and regulator
- Castors included
- Fall down security



## SOLAMAGIC INFRARED WALL

- 3,6 kg
- Toshiba lamp 1400 Watt • IP24
- Waterproof switch on/off
- Incl. 40 cm electricity cable
- Optional marine treatment
- Manual control



## SOLAMAGIC INFRARED STANDING

- 12,3 kg
- Toshiba lamp 1400 Watt
- IP24
- Waterproof switch on/off
- Incl. 5 m electricity cable
- Manual control



## SYMO HEATER 2950 STANDING

- 21 kg
- 295 x 330 x 1550 mm
- 1400 / 2950 Watt
- IP55
- Incl. 5 m electricity cable
- With integrated motion detector
- Fall down security system
- Remote control



## MOTION DETECTOR

- Wireless
- Easy do-it-yourself installation



# QUASEO

Light up your parasol

**The original:** the first wireless parasol lighting in the world



Automatically adjustable to **any parasol pole** with diameter 27 to 51 mm

2 hours of charging = **6 hours of light**

**Rechargeable** like your mobile phone



## QUASEO

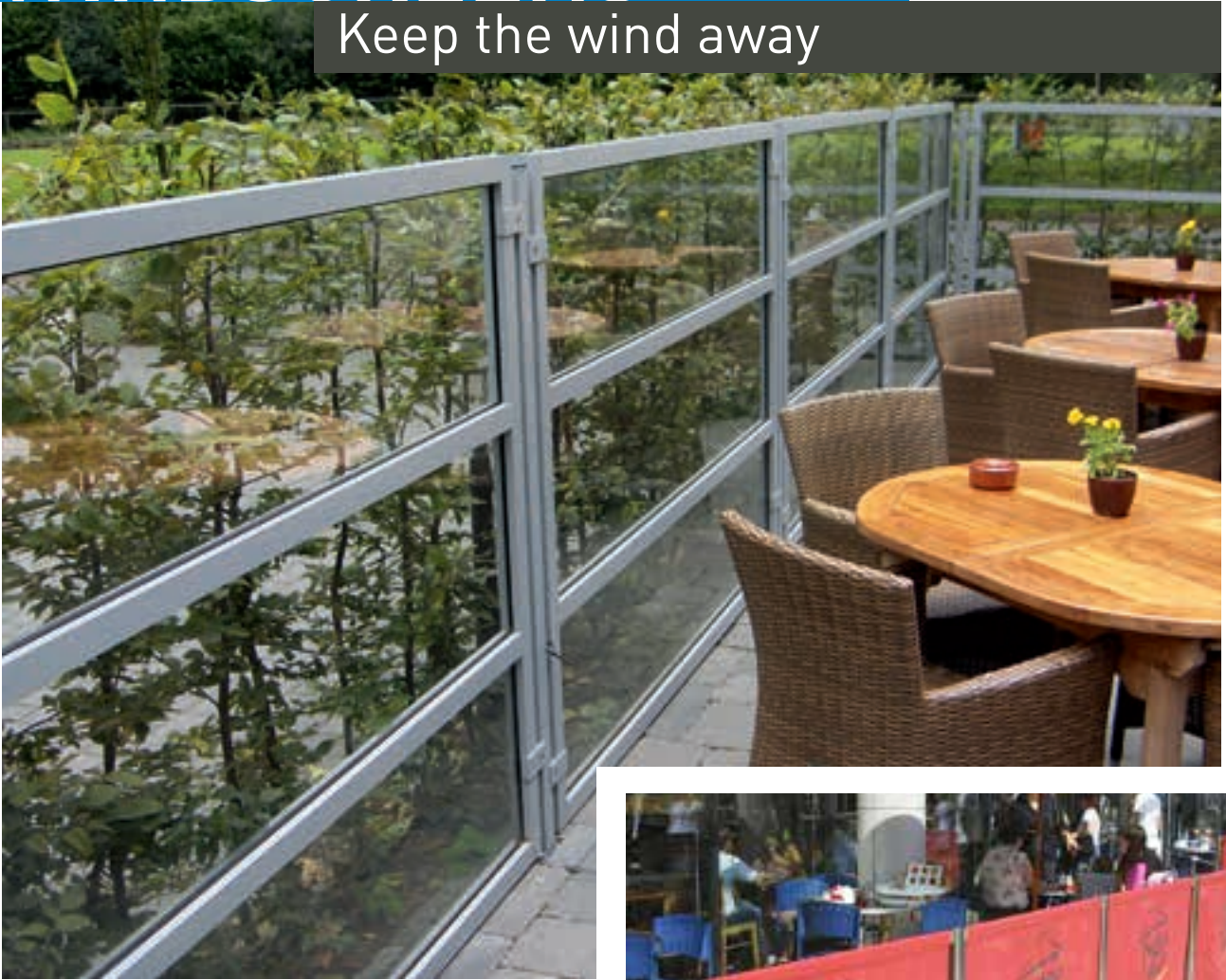


LAMPS

1,3 kg  
27 x 21 x 9 cm  
24 LEDS

# WINDSCREENS

Keep the wind away



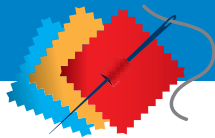
# CUSTOM MADE PARASOLS

Personalize your parasol

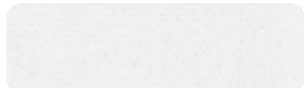


Photo Vedett: courtesy of Venuez Magazine





## STOCK COLOURS



0001 - ECRU **UPF 30+**



3914 - ROUGE **UPF 50+**



7133 - NATUREL **UPF 30+**



7548 - IVOIR **UPF 50+**



0681 - DUNE **UPF 50+**



8902 - BEIGE **UPF 50+**



8779 - BRUYÈRE **UPF 50+**



6687 - FORET **UPF 50+**



6028 - NOIR **UPF 50+**



6088 - GRIS **UPF 50+**



7559 - TAUPE **UPF 50+**



8203 - ARDOISE **UPF 50+**



7330 - CHARCOAL TWEED **UPF 50+**

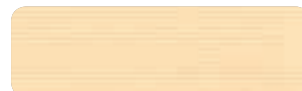
## OTHER COLOURS



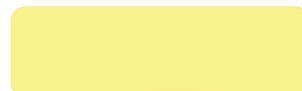
7632 - COQUILLE **UPF 30+**



0806 - CHAMPAGNE **UPF 50+**



6610 - VANILLE **UPF 30+**



7703 - CITRON **UPF 50+**



7560 - PAILLE **UPF 50+**



6316 - JAUNE **UPF 50+**



6318 - BLE **UPF 50+**



0034 - SABLE **UPF 50+**



8777 - SAFRAN **UPF 50+**



0018 - ORANGE **UPF 50+**



0867 - MANDARINE **UPF 50+**



6577 - SAUMON **UPF 30+**



6689 - PECHE **UPF 50+**



8205 - PAPAYE **UPF 50+**



0020 - VERMILLON **UPF 30+**



8207 - CHATAIGNE **UPF 50+**



7104 - BRIQUE **UPF 50+**

**10 years guarantee**  
against colour fading



**The best UV protection:** most colours block 100 % of all uv radiation (total sunblock)

**UPF 12+** blocks more than 90% of all uv radiation

**UPF 30+** blocks more than 95% of all uv radiation

**UPF 50+** blocks more than 100% of all uv radiation  
**(total sun block)**

Material: solution dyed acrylic, 295 gr/m2 (+/-5%)

Cleanguard finish: anti-staining, rot-proof and water-resistant

Water repellent: 350 mm minimum  
(standard ISO 811/81)

Shelters from **the sun as well as the rain**

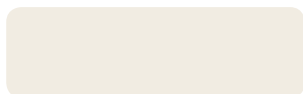
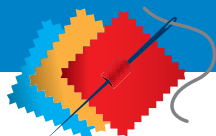
Avoids greenhouse effect under the parasol:  
**eliminates up to 95%** of dazzle and heat

Orchestra is the European brand name of the awning grade quality fabric made by Glen Raven. Glen Raven is the **manufacturer of Sunbrella**. Why do we use Orchestra instead of Sunbrella? Because Orchestra is, compared to Sunbrella, **more waterproof** and comes with a 10 year guarantee against colour fading

### ORCHESTRA FITS ON THESE PARASOLS:

- MACSYMO (page 16)
- PARTY (page 22)
- QUATTRO (page 24)

			
6386 - DUBONNET TWEED <b>UPF 50+</b>	6023 - RESEDA <b>UPF 50+</b>	8202 - MEDITERRANEE <b>UPF 50+</b>	7552 - ARGENT <b>UPF 50+</b>
			
8206 - BORDEAUX <b>UPF 50+</b>	0853 - OLIVE <b>UPF 50+</b>	8204 - BLEUET <b>UPF 50+</b>	6435 - CERISE <b>UPF 50+</b>
			
6692 - LILAS <b>UPF 30+</b>	8905 - SAPIN <b>UPF 50+</b>	0017 - BLEU <b>UPF 50+</b>	8396 - SOURIS <b>UPF 50+</b>
			
8601 - MAUVE <b>UPF 50+</b>	7100 - CYPRES <b>UPF 50+</b>	8790 - MEDITERANEAN TWEED <b>UPF 50+</b>	68891 - TOAST <b>UPF 50+</b>
			
7554 - CASSIS <b>UPF 50+</b>	6387 - HEMLOCK TWEED <b>UPF 50+</b>	7264 - OCEAN <b>UPF 50+</b>	U083 - CHOCOLAT <b>UPF 50+</b>
			
8904 - LIN <b>UPF 30+</b>	7103 - TILLEUL <b>UPF 50+</b>	7558 - NARVAL <b>UPF 50+</b>	U104 - FLANELLE <b>UPF 50+</b>
			
8200 - CHANVRE <b>UPF 50+</b>	0003 - VERT <b>UPF 50+</b>	6022 - MARINE <b>UPF 50+</b>	U105 - CURRY <b>UPF 50+</b>
			
7553 - MOKA <b>UPF 50+</b>	7297 - EMERAUDE <b>UPF 50+</b>	8238 - BLEU NUIT <b>UPF 50+</b>	U141 - DENIM <b>UPF 50+</b>
			
6025 - NOISETTE <b>UPF 50+</b>	7551 - AQUAMARINE <b>UPF 50+</b>	7132 - GRAPHITE <b>UPF 12+</b>	U169 - PURPLE <b>UPF 50+</b>
			
0613 - MARRON <b>UPF 50+</b>	6688 - TURQUOISE <b>UPF 50+</b>	7131 - MULTICO <b>UPF 12+</b>	U170 - PINK <b>UPF 50+</b>
			
8776 - CACAO <b>UPF 50+</b>	8900 - MINERAL <b>UPF 30+</b>	6319 - NUAGES <b>UPF 12+</b>	U171 - CARBONE <b>UPF 50+</b>
			
7557 - MENTHE <b>UPF 30+</b>	8901 - PAON <b>UPF 50+</b>	6020 - GREGE <b>UPF 50+</b>	U189 - BEIGE CHINE <b>UPF 30+</b>
			
7244 - AMANDE <b>UPF 50+</b>	8903 - CIEL <b>UPF 30+</b>	8016 - RAMIER <b>UPF 12+</b>	U190 - GRIS CHINE <b>UPF 12+</b>
			
8600 - ABSINTHE <b>UPF 50+</b>	6720 - SAPHIR <b>UPF 30+</b>	7972 - PERLE <b>UPF 12+</b>	U224 - BROWNIE <b>UPF 50+</b>
			
8201 - FOUGERE <b>UPF 50+</b>	8778 - CHARDON <b>UPF 50+</b>	6196 - PIERRE <b>UPF 50+</b>	U225 - BLUE-JEAN <b>UPF 50+</b>



2602 - WHITE



2737 - BEIGE



2739 - MOLE



167 - HEATHER BLUE



2306 - AZURE



2426 - FOREST GREEN



2619 - YELLOW



2631 - MOUSE



2710 - ECRU



4206 - HEATHER BEIGE



168 - BLUE BOTTLE



2860 - NIGHT BLUE



2417 - LETTUCE



2105 - MANDARINE



2131 - RED



166 - HEATHER ORANGE



2501 - BLACK



2313 - TURQUOISE

Symacryl **protects your skin:**  
blocks 97% of uv rays

**Composition:**

100% Olefin

**Weight:**

± 190 g/m<sup>2</sup>

**Light fastness:**

7 to 8/8 (standard ISO 105-B02)

**Finish:**

water and oil repellent

For fabric Symacryl striped and checked please contact us.

For fabric Symacryl striped and checked please contact us.



**SYMACRYL FITS ON THESE PARASOLS:**

- CLASSICO (page 6)







# RAFFIA



WHITE



GREEN



YELLOW



BLACK



ECRU

**Composition:**  
polypropylene

**Length:** ± 38 cm

**RAFFIA FITS ON  
THESE PARASOLS:**  
• CLASSICO (page 6)





**BAMBOU**  
PAGE 6



**CLASSICO**  
PAGE 8



**KRATOS**  
PAGE 16



**LEVANTO**  
PAGE 22



**MACSYMO**  
PAGE 24



**PARTY**  
PAGE 38



**QUATTRO**  
PAGE



**SUPREMO TELESOPICO**  
PAGE

	PARASOL OPTIONS															
	HEATING INTEGRATED	PRINT YOUR OWN LOGO	ANY RAL COLOUR ON REQUEST	MACSYMO LIGHT	QUASEO LED LIGHT	BLABLA TABLE	PROTECTIVE COVER	GUTTER FOR SQUARE PARASOLS	SIDE PANELS	VALANCES FIXED	EXTENDED POLE	GAS DAMPER SYSTEM	LUNA 30 KG	RONDO 42 KG	BASE TO FILL UP TO 20 KG	BASE FILLED WITH CONCRETE 20 KG
WIND RESISTANCE IN BEAUFORT	7	●			●		●									
	7	●			●		●						●		●	●
	6	●					●									
	6				●	●	●						●	●		
	7	●	●	●			●	●	●	●	●					
	6		●		●		●			●			●	●		
	6	●	●		●	●	●	●		●		●	●	●		
	5				●		●						●	●		



## BASE OPTIONS

### COVER PLATE FOR TILE BASE 140 KG

90,4 x 90,4 x 10,9 cm  
18 kg / 2 mm steel  
sandblasted, metallized and powder coated white ral 9010



### ANTI-THEFT SCREW AND KEY

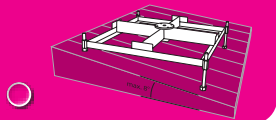


### EXTRA WEIGHT FOR RONDO

2 x 10 kg



### TILE BASE SOLUTION FOR SLOPES UP TO 8°



### 4 CASTORS FOR LUNA

2 with brakes



### ANY RAL COLOUR ON REQUEST



### TILTING DEVICE

recommended for MacSymo 4x4 and larger



### 4 CASTORS FOR TILE BASE

with brakes



## PARASOL BASES

### LUNA 30 kg

60 x 60 / 10 mm steel / sandblasted, metallized and powder coated  
colours: white RAL 9010, black RAL 9005  
For parasol poles Ø 25-50 mm

BASE OPTIONS:  



### RONDO 42 kg

Ø 74 / 12 mm steel / sandblasted, metallized and powder coated  
colours: white RAL 9010, black ral 9005  
For parasol poles Ø 25-50 mm

BASE OPTIONS:  



### BASE TO FILL up to 20 kg

fill with water or sand  
Ø 43 cm / HDPE / white colour  
For parasol poles Ø 18-32 mm

NO BASE OPTIONS



### BASE FILLED WITH CONCRETE 20 kg

Ø 40 cm / HDPE filled with concrete / white colour  
For parasol poles Ø 18-38 mm

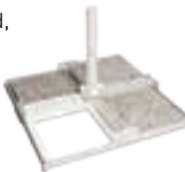
NO BASE OPTIONS



### TILE BASE LUXURY 140 kg

85 x 85 cm / steel / sandblasted, metallized and powder coated  
white RAL 9010  
For parasol poles Ø 40 or 60 mm

BASE OPTIONS:      



### TILE BASE ECONOMY 140 kg

85 x 85 cm / steel / galvanized / silver coloured  
For parasol poles Ø 40 or 60 mm

BASE OPTIONS:      



### TILE BASE LUXURY 200 kg

85 x 85 cm / steel / sandblasted, metallized and powder coated  
white RAL 9010  
For parasol poles Ø 40 or 60 mm

BASE OPTIONS:     



### GROUND PLATE LUXURY

40 x 40 cm / 10 mm steel / sandblasted, metallized and powder coated white RAL 9010 / must be screwed on the ground  
For parasol poles Ø 40 or 60 mm

BASE OPTIONS:   



### GROUND PLATE ECONOMY

40 x 40 cm / 10 mm steel / galvanized / silver coloured / must be screwed on the ground  
For parasol poles Ø 40 or 60 mm

BASE OPTIONS:  



### INGROUND SLEEVE LUXURY

steel / sandblasted, metallized and powder coated white RAL 9010 / must be concreted in de ground  
For parasol poles Ø 40 or 60 mm

BASE OPTIONS:   



### INGROUND SLEEVE ECONOMY

steel / galvanized / silver coloured / must be concreted in the ground  
For parasol poles Ø 40 or 60 mm

BASE OPTIONS:  



### GRANITE 40 kg

50 x 50 cm / stainless steel tube / with "comfort handle" and rollers / light grey colour  
For parasol poles Ø 26-55 mm

NO BASE OPTIONS:



### CONCRETE 50 kg

59 x 59 cm / stainless steel tube / anthracite colour  
For parasol poles Ø 26-55 mm

NO BASE OPTIONS



### BAMBOU BASE 60 kg

Ø 65,6cm  
Stainless steel tube  
Strong rubber ring  
For parasols poles Ø 35-61 mm

NO BASE OPTIONS



We have done our utmost to assure all data are complete and correct upon the release of this brochure.

Our company is permanently committed to improve our products. For that reason, Symo Parasols is entitled to modify technical data, dimensions, colours and characteristics mentioned in this brochure without previous notice.

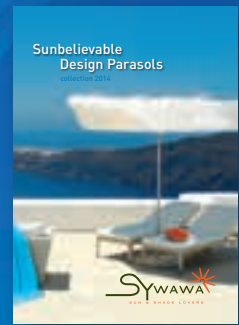
To receive the latest information, please contact your Sales Manager.

The colours in this brochure might vary from reality due to restrictions in the printing process.

© Symo Parasols 2011. All rights reserved. Any reproduction in whole or part of Symo Parasols products or this brochure is strictly prohibited and will result in legal action.

*the experts since 1932*

**symo**   
parasols



Check our sunbelievable design parasols on [www.sywawa.com](http://www.sywawa.com)



**Kaihdinliike  
SANDBERG**  
[www.kaihdinliikesandberg.fi](http://www.kaihdinliikesandberg.fi)

**Symo Parasols**  
Industriepark Z3 Waggelwater  
Dirk Martensstraat 13  
8200 Brugge  
Belgium  
T +32(0)50 32 07 95  
F +32(0)50 31 29 82  
E [info@symoparasols.com](mailto:info@symoparasols.com)

[www.symoparasols.com](http://www.symoparasols.com)

with the support of  Flanders Investment & Trade  
www.flandersinvestor.com



*the experts since 1932*

**symo**   
parasols

© HEADLINE.eu